

IQXO-149 Commercial Oscillator

ISSUE 13; 1 SEPTEMBER 2001

Delivery Options

- Please contact our sales office for current leadtimes

Output Compatibility

- Tri-state HCMOS/TTL
- Drive Capability: 50pF or 10TTL (<70.0MHz)
30pF (70.0 to 160.0MHz)

Package Outline

- 14-pin DIL compatible resistance welded enclosure, hermetically sealed with glass to metal seal. Available over 0 to 70°C (IQXO-149) or -40 to 85°C (IQXO-149I)

Standard Frequency Stabilities

- ±25ppm, ±50ppm, ±100ppm
(over operating temperature range)

Operating Temperature Ranges

- 0 to 70°C (IQXO-149)
- -40 to 85°C (IQXO-149I)

Storage Temperature Range

- -55 to 125°C

Environmental Specification

- Terminal Strength: 0.91kg max. Force perpendicular to top & bottom
- Hermetic Seal: not to exceed 1×10^{-8} mBar litres of Helium leakage
- Solderability: MIL-STD-202E, Method 208C
- Vibration: 10 to 55Hz 0.76mm displacement, sweep 60 seconds, duration 2 hours
- Rapid Change of Temperature over Operating Temperature Range: 10 cycles
- Shock: 981m/s² for 6ms, three shocks in each direction along the three mutually perpendicular planes

Tri-state Operation

- Logic '0' to pin 1 disables oscillator output; when disabled the oscillator output goes to the high impedance state
- No connection or Logic '1' to pin enables oscillator output
- Maximum 'pull-down' resistance required to disable output = 20kΩ
- Disable current 50μA typical

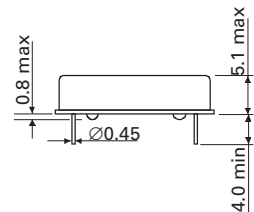
Marking

- Model number + Operating Temperature Code (if applicable)
- Frequency Stability Code
- Frequency
- Date Code (Year/Week)

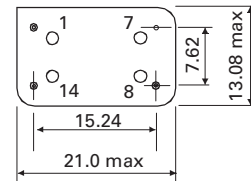
Minimum Order Information Required

- Frequency + Model Number + Operating Temperature (if applicable) + Frequency Stability

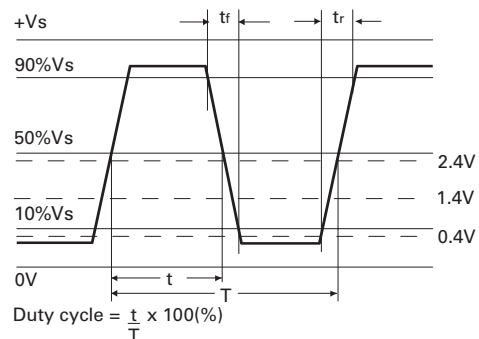
Outline in mm



Pin connections
 1. N/C or Enable/Disable
 7. GND
 8. Output
 14. +Vs



Output Waveform - HCMOS/TTL

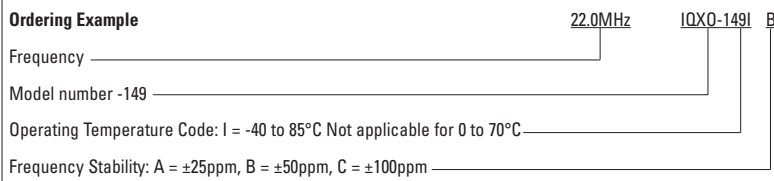


LEADED SPX0s

Electrical Specifications - maximum limiting values when measured in HCMOS test circuit.

Frequency Range	Frequency Stability	Supply Voltage	Supply Current	Rise Time(t_r)	Fall Time(t_f)	Duty Cycle	Model Number
500.0kHz to < 5.0MHz	$\pm 25\text{ppm}$, $\pm 50\text{ppm}$, $\pm 100\text{ppm}$	$5V \pm 0.25V$	20mA	15ns	15ns	45/55%	IQX0-149, -149I
5.0 to < 30.0MHz	$\pm 25\text{ppm}$, $\pm 50\text{ppm}$, $\pm 100\text{ppm}$	$5V \pm 0.25V$	30mA	10ns	10ns	45/55%	IQX0-149, -149I
30 to < 50.0MHz	$\pm 25\text{ppm}$, $\pm 50\text{ppm}$, $\pm 100\text{ppm}$	$5V \pm 0.25V$	40mA	8ns	8ns	45/55%	IQX0-149, -149I
50 to < 70.0MHz	$\pm 25\text{ppm}$, $\pm 50\text{ppm}$, $\pm 100\text{ppm}$	$5V \pm 0.25V$	50mA	6ns	6ns	40/60%	IQX0-149, -149I
70 to 160.0MHz	$\pm 25\text{ppm}$, $\pm 50\text{ppm}$, $\pm 100\text{ppm}$	$5V \pm 0.25V$	70mA	5ns	5ns	40/60%	IQX0-149, -149I

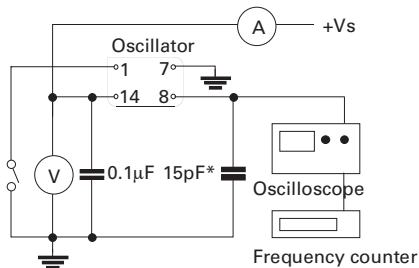
Ordering Example



Please note that the rise and fall times listed are the maximum values we specify to cover various frequency breaks. In practise the actual values are generally lower depending upon the spot frequency chosen. For typical values please contact our sales office.

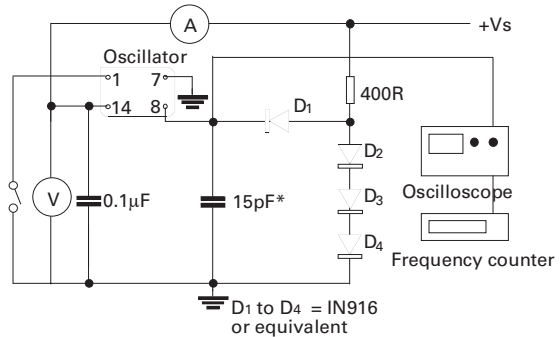
LEADED SPX0s

Test Circuit - HCMOS



*Inclusive of jigging & equipment capacitance

Test Circuit - TTL



*Inclusive of jigging & equipment capacitance